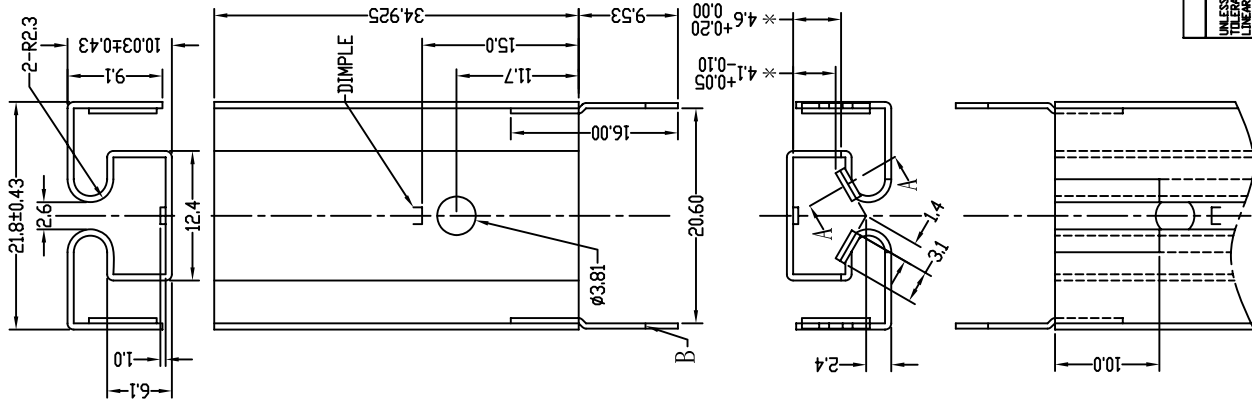


NOTES:

1. MATERIAL: AL 1100
 2. FINISH: ANODIZE BLACK

3. REMOVE ALL BURRS AND SHARP EDGES.
 4. ⓧ IS CRITICAL INSPECTION POINT, NUMBERING IN TRIANGLES TO BE USED FOR CROSS REFERENCE OF INSPECTION REPORT TO DRAWING DIMENSION OR FEATURE.



ALL DIMENSIONS ARE IN MM
 UNLESS NOTED OTHERWISE
 TOLERANCES:
 LINEAR: ± 0.2
 ANGULAR: ± 0.1°
 SURFACE FINISH: 1.6µm
 PERPENDICULARITY & PARALLELISM: 0.1 REMOVE SHARP EDGES AND BURRS
 THIRD ANGLE PROJECTION
 DO NOT SCALE DRAWING

MATERIAL: ---
 FINISH: ---
 DRAWN BY: ---
 ENGINEER: ---
 CHECKED BY: ---

Cooling Source		NAME: Heat sink	
CUSTOMER PART NUMBER: ---	DWG SIZE: A1	SCALE: ---	DATE: 10-29-2013
Cooling Source Part Number: CSBL-122-BA-00	DWG SIZE: A1	SCALE: ---	DATE: 10-29-2013
Cooling Source Part Number: ---	SHEET: 1 of 1	CDS REV: 1	C S REV: 01